

Product information presented here reflects conditions at time of publication. Consult factory regarding discrepancies or inconsistencies.



MAIL TO: P.O. BOX 16347 • Louisville, KY 40256-0347
SHIP TO: 3649 Cane Run Road • Louisville, KY 40211-1961
TEL: (502) 778-2731 • 1 (800) 928-PUMP • FAX: (502) 774-3624

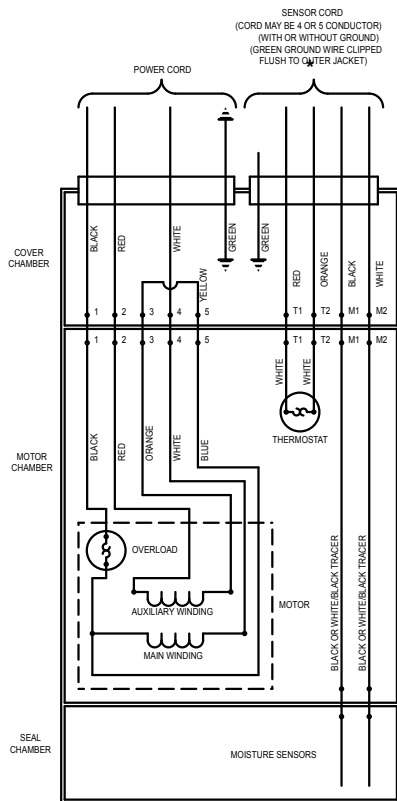
Visit our web site:
zoellerpumps.com

REPLACEMENT PARTS LIST FOR GRINDER MODELS: E842 230V 1 PHASE I842 200V 1 PHASE F842 230V 3 PHASE G842 460V 3 PHASE J842 200V 3 PHASE BA842 575V 3 PHASE

TO ORDER REPLACEMENT PARTS:

PLEASE FURNISH THE
FOLLOWING INFORMATION:

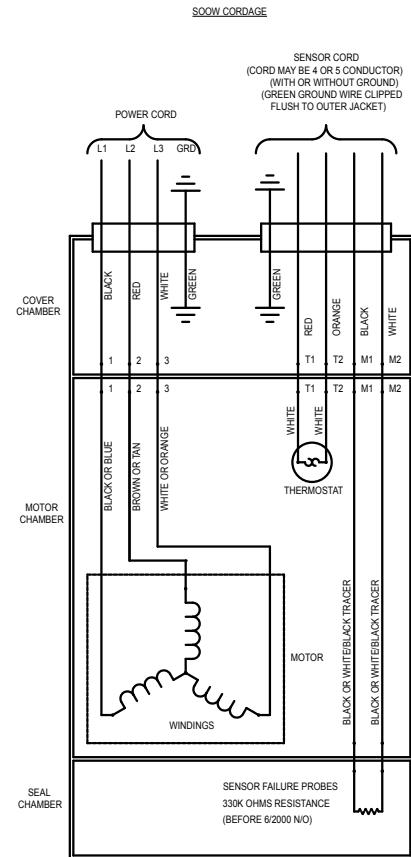
- Model Number.
- Part Number of Pump.
- Part Number and Description of part.



*Thermostat Optional

WIRING DIAGRAM FOR MODELS
"E842" All Revisions
"I842" All Revisions
"F842" All Revisions
"G842" All Revisions
"J842" All Revisions
"BA842" All Revisions
5/07 thru Current

016129



WIRING DIAGRAM FOR MODELS
"F842" All Revisions
"G842" All Revisions
"J842" All Revisions
"BA842" All Revisions
5/07 thru Current

008752

REPLACEMENT PARTS LIST FOR MODELS "E842" and "I842".

See back page for illustration.

REF. NO.	DESCRIPTION	MODELS:		E842-A	E842-B	I842-A	I842-B
		QTY.	NOTES	5/07 thru 1/17	2/17 thru Current	5/07 thru 1/17	2/17 thru Current
1	Cover & Cord 200/230V/1PH	1	2	016135	016135	016135	016135
2	• Seal, SQ-Ring Cover	1		007773	007773	007773	007773
3	• Seal, Thru Wall Term.	9		003402	003402	003402	003402
4	Housing, Mtr. & Str. 1Ph/GE	1	1	010266	010266	010267	010267
5	• Oil, Dielectric (57 OZ Can)	1		009051	009051	009051	009051
6	Rotor Asm. 1Ph/GE	1		010269	010269	010269	010269
7	Ring, Snap-5100-100 Truarc	1		007769	007769	007769	007769
8	Key	1		011711	011711	011711	011711
9	Cordage Term. & Seal/20'/18-2 SOW-A/MS	1	2	009053	009053	009053	009053
10	• Seal, Cord-Asm./MS	1	2	011064	011064	011064	011064
11	Cordage Term. & Seal/20'/Power	1	2	155429	155429	155429	155429
12	• Seal, Cord-Asm. & Strain Relief	1	2	015634	015634	015634	015634
13	Case & Seal	1		015830	015830	015830	015830
14	• Plug, Test-Brass	3		015023	015023	015023	015023
15	• Bearing, Radial .4724 ID	1		006703	006703	006703	006703
16	• Bearing, Angular Contact	1		007765	007765	007765	007765
17	• Seal, SQ-Ring Adapter	1		007771	007771	007771	007771
18	• Sensor, Moisture Asm.	1		007770	007770	007770	007770
19	Adapter Asm. Grinder	1		009055	009055	009055	009055
20	• Oil, Dielectric (11 OZ Can)	1		009056	009056	009056	009056
21	• Seal Asm., Shaft	2		007763	007763	007763	007763
22	• Seal, SQ-Ring Seal Plate	1		007772	007772	007772	007772
23	Plate, Seal-Mach.	1		007757	007757	007757	007757
24	Impeller-Mach.	1		018239	018239	018239	018239
25	Housing, Pump-Mach.	1		015800	154090	015800	154090
26	Cutter & Disc Asm.	1		019075	154536	019075	154536
27	Shim Set	1		012632	012632	012632	012632
28	Guard, Cutter-Plastic	1		008528	N/A	008528	N/A
29	Handle	1		016801	016801	016801	016801
30	Wire Asm.-P-P (1) Wire	1		016134	016134	016134	016134
31	Resistor	1		013740	013740	013740	013740
32	• Screw, #6-32 x .25RHM SL TC STLGR	1		001877	001877	001877	001877
33	• Screw, .313-18 x 1 HH CAP SS	2		002608	002608	002608	002608
34	• Screw, .313-18 x 1.25 HH Cap-SS	12		001908	001908	001908	001908
35	• Screw, #10-24 x .625" SH Cap SS	4		007774	007774	007774	007774
36	• Screw, .25-20 x 1 LG HH SS (Nylock Pre-Coat 80)	1		018602	018602	018602	018602
37	• Screw, .25-20 x .75 SH CAP SS	3		007768	N/A	007768	N/A
	• Screw, .25-20 x .75 SH CAP SS	6		N/A	007768	N/A	007768
38	• Screw, #10-24 x .875 FLT SH CAP SS	3		007761	N/A	007761	N/A
39	• Washer, Lock .312 ID	14		006402	006402	006402	006402
40	• Washer-Retaining	1		008533	008533	008533	008533
41	• Washer-Flat SS	2		008773	008773	008773	008773
42	• Washer-Flat SS .25 Standard	3		004480	N/A	004480	N/A
43	Disc, Cutter	1		018241	153203	018241	153203
44	Cutter & Shim ASM	1		019698	154537	019698	154537
□	Rebuild Kit	1		016806	016806	016806	016806

• Items included in Rebuild Kit.

□ Not Shown in Illustration.

NOTE:

- 1) Housing Mtr & Stator (Item 4) is preassembled at the factory and must be replaced as a unit. Stator is permanently attached to the Motor Housing. Plug (Item 14); Seal, Thru WallTerm. (Item 3) are replaceable.
- 2) If an "X" follows Model No., or Date Mfg. On ID tag, consult factory for ordering of this part.
- 3) See FM0160 Parts Price Sheet for listing of parts prices.
- 4) "NA" indicates not applicable.

REPLACEMENT PARTS LIST FOR MODELS "J842", "F842", "G842", "BA842".

See back page for illustration.

REF. NO.	DESCRIPTION	QTY.	NOTES	MODELS:		J842-A	J842-B	F842-A	F842-B	G842-A	G842-B	BA842-A	BA842-B
				5/07 thru 1/17	2/17 thru Current	5/07 thru 1/17	2/17 thru Current	5/07 thru 1/17	2/17 thru Current	5/07 thru 1/17	2/17 thru Current		
1	Cover & Cord 200/230/460/575V/3PH	1	2	015827	015827	015827	015827	015827	015827	015827	015827	015827	015827
2	• Seal, SQ-Ring Cover	1		007773	007773	007773	007773	007773	007773	007773	007773	007773	007773
3	• Seal, Thru Wall Term.	9		003402	003402	003402	003402	003402	003402	003402	003402	003402	003402
4	Housing, Mtr. & Str. 3Ph/GE	1	1	010265	010265	010263	010263	010264	010264	010264	010264	010670	010670
5	• Oil, Dielectric (67 OZ Can)	1		009064	009064	009064	009064	009064	009064	009064	009064	009064	009064
6	Rotor Asm. 3Ph/GE	1		010268	010268	010268	010268	010268	010268	010268	010268	010268	010268
7	Ring, Snap-5100-100 Truarc	1		007769	007769	007769	007769	007769	007769	007769	007769	007769	007769
8	Key	1		011711	011711	011711	011711	011711	011711	011711	011711	011711	011711
9	Cordage Term. & Seal/20/18-5 SOW-A/M&T	1	2	012928	012928	012928	012928	012928	012928	012928	012928	012928	012928
10	• Seal, Cord-Asm./MS & THRML	1	2	012953	012953	012953	012953	012953	012953	012953	012953	012953	012953
11	Cordage Term. & Seal/20/Power	1	2	155430	155430	155430	155430	155430	155430	155430	155430	155430	155430
12	• Seal, Cord-Asm. & Strain Relief	1	2	015634	015634	015634	015634	015634	015634	015634	015634	015634	015634
13	Case & Seal	1		015830	015830	015830	015830	015830	015830	015830	015830	015830	015830
14	• Plug, Test-Brass	3		015023	015023	015023	015023	015023	015023	015023	015023	015023	015023
15	• Bearing, Radial .4724 ID	1		006703	006703	006703	006703	006703	006703	006703	006703	006703	006703
16	• Bearing, Angular Contact	1		007765	007765	007765	007765	007765	007765	007765	007765	007765	007765
17	• Seal, SQ-Ring Adapter	1		007771	007771	007771	007771	007771	007771	007771	007771	007771	007771
18	• Sensor, Moisture Asm.	1		007770	007770	007770	007770	007770	007770	007770	007770	007770	007770
19	Adapter Asm. Grinder	1		009055	009055	009055	009055	009055	009055	009055	009055	009055	009055
20	• Oil, Dielectric (11 OZ Can)	1		009056	009056	009056	009056	009056	009056	009056	009056	009056	009056
21	• Seal Asm., Shaft	2		007763	007763	007763	007763	007763	007763	007763	007763	007763	007763
22	• Seal, SQ-Ring Seal Plate	1		007772	007772	007772	007772	007772	007772	007772	007772	007772	007772
23	Plate, Seal-Mach.	1		007757	007757	007757	007757	007757	007757	007757	007757	007757	007757
24	Impeller-Mach.	1		018239	018239	018239	018239	018239	018239	018239	018239	018239	018239
25	Housing, Pump-Mach.	1		015800	154090	015800	154090	015800	154090	015800	154090	015800	154090
26	Cutter & Disc Asm.	1		019075	154536	019075	154536	019075	154536	019075	154536	019075	154536
27	Shim Set	1		012632	012632	012632	012632	012632	012632	012632	012632	012632	012632
28	Guard, Cutter-Plastic	1		008528	N/A	008528	N/A	008528	N/A	008528	N/A	008528	N/A
29	Handle	1		016801	016801	016801	016801	016801	016801	016801	016801	016801	016801
30	Wire Asm.-P-P (1) Wire	1		016134	016134	016134	016134	016134	016134	016134	016134	016134	016134
31	Resistor	1		013740	013740	013740	013740	013740	013740	013740	013740	013740	013740
32	• Screw, #6-32 x .25RHM SL TC STLGR	1		001877	001877	001877	001877	001877	001877	001877	001877	001877	001877
33	• Screw, .313-18 x 1 HH CAP SS	2		002608	002608	002608	002608	002608	002608	002608	002608	002608	002608
34	• Screw, .313-18 x 1.25 HH Cap-SS	12		001908	001908	001908	001908	001908	001908	001908	001908	001908	001908
35	• Screw, #10-24 x .625" SH Cap SS	4		007774	007774	007774	007774	007774	007774	007774	007774	007774	007774
36	• Screw, .25-20 x 1 LG HH SS (Nylock Pre-Coat 80)	1		018602	018602	018602	018602	018602	018602	018602	018602	018602	018602
37	• Screw, .25-20 x .75 SH CAP SS	3		007768	N/A	007768	N/A	007768	N/A	007768	N/A	007768	N/A
	• Screw, .25-20 x .75 SH CAP SS	6		N/A	007768	N/A	007768	N/A	007768	N/A	007768	N/A	007768
38	• Screw, #10-24 x .875 FLT SH CAP SS	3		007761	N/A	007761	N/A	007761	N/A	007761	N/A	007761	N/A
39	• Washer, Lock .312 ID	14		006402	006402	006402	006402	006402	006402	006402	006402	006402	006402
40	• Washer-Retaining	1		008533	008533	008533	008533	008533	008533	008533	008533	008533	008533
41	• Washer Flat SS	2		008773	008773	008773	008773	008773	008773	008773	008773	008773	008773
42	• Washer-Flat SS .25 Standard	3		004480	N/A	004480	N/A	004480	N/A	004480	N/A	004480	N/A
43	Disc, Cutter	1		018241	153203	018241	153203	018241	153203	018241	153203	018241	153203
44	Cutter & Shim ASM	1		019698	154537	019698	154537	019698	154537	019698	154537	019698	154537
▫	Rebuild Kit	1		016807	016807	016807	016807	016807	016807	016807	016807	016807	016807

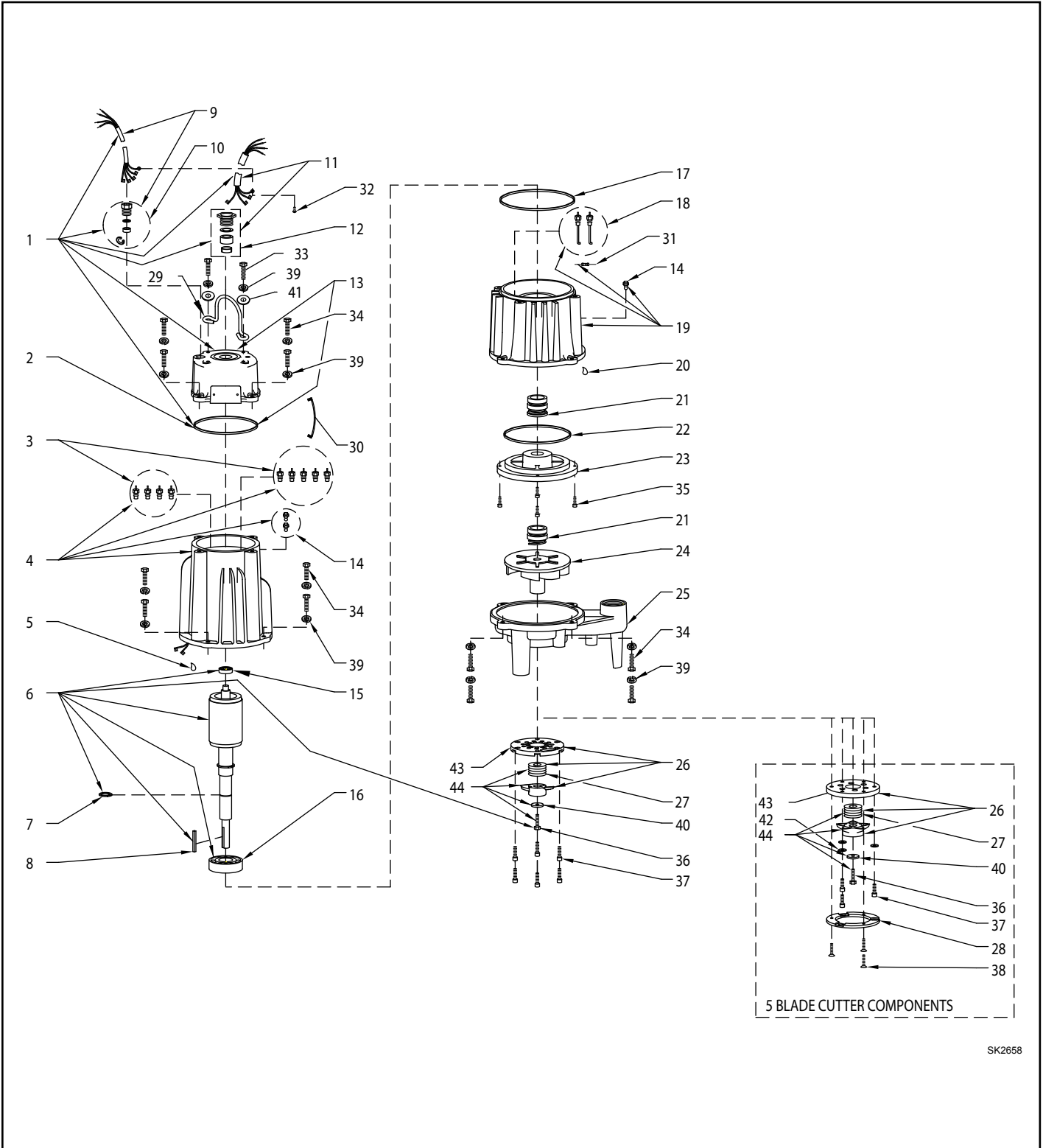
• Items included in Rebuild Kit.

▫ Not Shown in Illustration.

NOTE:

- 1) Housing Mtr & Stator (Item 4) is preassembled at the factory and must be replaced as a unit. Stator is permanently attached to the Motor Housing. Plug (Item 14); Seal, Thru Wall Term. (Item 3) are replaceable.
- 2) If an "X" follows Model No., or Date Mfg. On ID tag, consult factory for ordering of this part.
- 3) See FM0160 Parts Price Sheet for listing of parts prices.
- 4) "NA" indicates not applicable.

REPLACEMENT PARTS ILLUSTRATION FOR 842 - ALL MODELS



SK2658



MAIL TO: P.O. BOX 16347 • Louisville, KY 40256-0347
 SHIP TO: 3649 Cane Run Road • Louisville, KY 40211-1961
 (502) 778-2731 • 1 (800) 928-PUMP • FAX (502) 774-3624

Trusted. Tested. Tough.™

Visit our web site:
zoellerpumps.com